

FY-700 & FY-700X Basin Faucet • Spec Sheet



FEATURES & BENEFITS

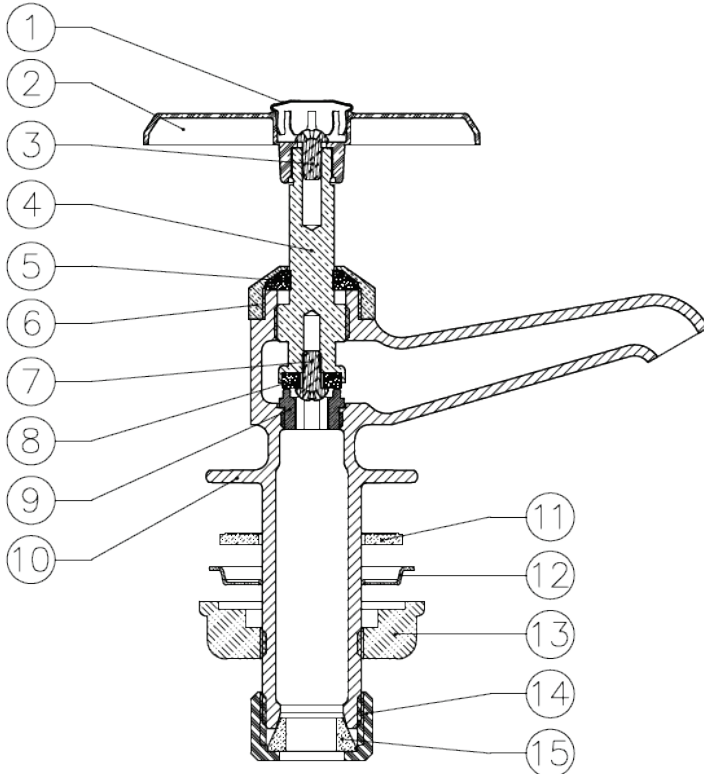
FY-700

- With Hot & Cold Index Buttons
- Removable Seat
- Max Flow Rate 2.2 GPM @ 60 PSI
- Chrome

FY-700X

- Extra Heavy Pattern
- With Hot & Cold Index Buttons
- With Aerator
- Max Flow Rate 2.2 GPM @ 60 PSI
- Chrome

APPROVALS: ANSI/ASME A112.18.1, CSA B125, ANSO/NSF 61 - Sec. 9, IAPMO/UPC



MATERIAL SPECIFICATIONS

No.	Part	Material
1	Cover	Brass
2	Handle	Zinc
3	Screw	Brass C37700
4	Stem	Brass C89550
5	Washer	EPDM SE-719F
6	Cap Nut	Brass C37700
7	Screw	Brass C37700
8	Washer	EPDM SE-719F
9	Sealing Seat	Brass C89550
10	Body	Brass C89550
11	Washer	EPDM SE-719F
12	Washer	Stainless Steel SS304
13	Nut Plate	ABS
14	Screw Nut	Brass C37700
15	Washer	EPDM SE-719F

* These product complies with 0.25% weighted average lead content on wetted surfaces in accordance with Safe Water Drinking Act (SDWA) / Federal Public Law No. 111-380.



Global sourcing. National compliance. Local service.

CALIFORNIA 5593 Fresca Dr., La Palma CA 90623 • Toll Free: 866-532-8306 • Fax: 866-532-8307
TEXAS 1150 Silber Rd., Houston TX 77055 • Toll Free: 800-935-5456 • Fax: 713-680-2999
NEW YORK PO Box 27, Rt. 22, Brewster NY 10509 • Toll Free: 800-431-2082 • Fax: 845-278-9056
 WEB: www.matco-norca.com EMAIL: mail@matco-norca.com